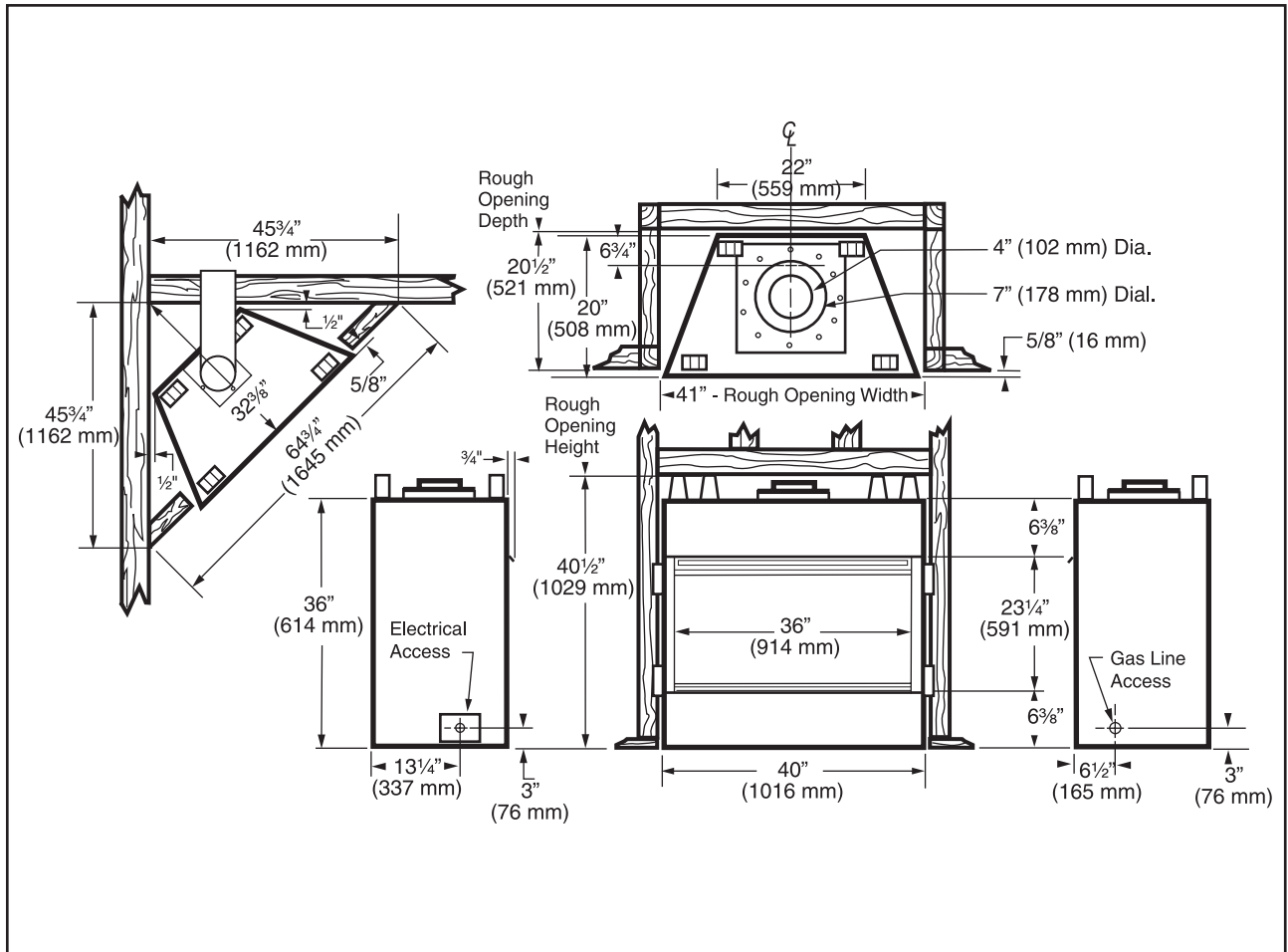
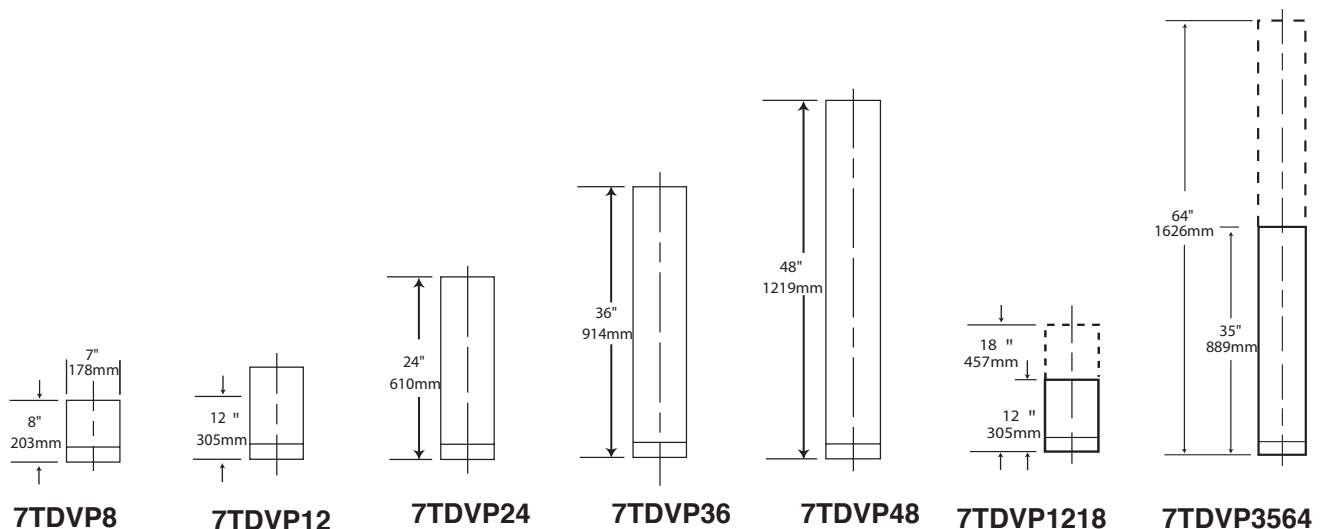


FIREPLACE & CHIMNEY COMPONENT SPECIFICATIONS

DVBR36 BUILDER DIRECT TOP VENT

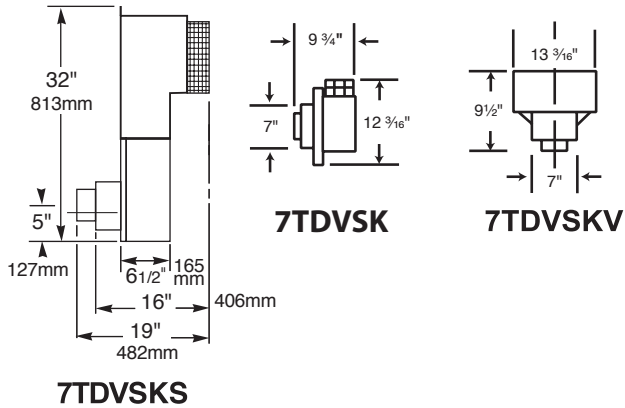


VENT SECTIONS and OFFSETTING ELBOWS

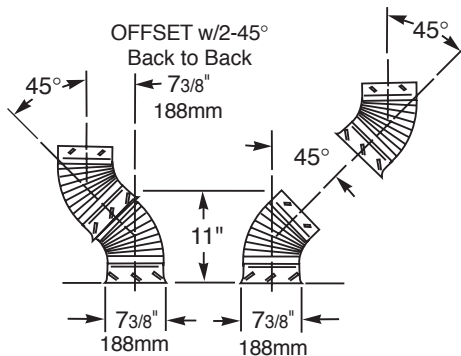
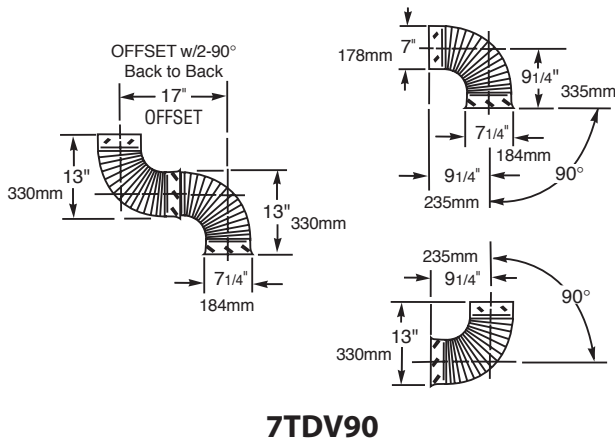


NOTE: THE INSTALLED LENGTH OF ANY VENTING SECTION IS $1\frac{1}{2}"$ LESS THAN ITS TOTAL LENGTH, EXCEPT FOR THE LAST SECTION INSTALLED.

CONTEMPORARY TERMINATIONS



ELBOWS



FIREPLACE FACTS

DVBR36 Insta-Flame® Series

FEATURES:

- Comes shipped as a rear vented model with option of converting to a top vented model
- Direct Thru-The-Wall or Thru-The-Roof Vent System
- True Zero-Clearance Design
- Ceramic Fibre "Split Oak" Logs with Bar Grate
- Ceramic Glass Window
- Fuel Conversion Kits Available
- Limited Lifetime Warranty
- Flex Connector w/Shut Off & EBI Standard

BURNER SYSTEM:

- Fuel - Natural Gas or Propane
- Capacity
 - Natural: 24,000 BTU/HR Max.
16,000 BTU/HR Min.
 - Propane: 24,000 BTU/HR Max.
17,500 BTU/HR Min.

- Ignition System
 - Standing Pilot With Piezo Ignitor, A Low Voltage (mV), Self-Generate Power Pile System
 - No outside Electrical Power Needed
- Gas Supply Line - Consult Gas Code Book for Correct Sizing
- Gas Inlet and Manifold Pressure

	Natural	Propane
Minimum Inlet Pressure	5.5" w.c.	11.0" w.c.
Maximum Inlet Pressure	14" w.c.	14.0" w.c.
Manifold Pressure	3.5" w.c.	10.0" w.c.

MINIMUM FLOOR AREA:

- 41" W X 20 1/2" D

HEARTH EXTENSION:

A Hearth Extension Is Recommended But **Not Required**

OPTIONAL ACCESSORIES:

- FK12 - Fan and Cord (160 cm) (for RN/RP only)
- FK24 - Variable Speed Fan Kit
- SCVS - Speed Control Variable Speed
- DVBR36CR - Ceramic Panel Liners
- DVBR36GTP - Upper/Lower Trim Kit - Polished Brass
- RC1 - Remote Control, On/Off w/Batteries
- RC2 - Remote Control, On/Off w/Batteries
- IMT - Wall Mounted Thermostat Control (For RN/RP models)

-Minimum clearance above fireplace opening
(See Installation Manual for Details)

The Fireplace Facts Information Sheets are for quick reference only and are subject to change without notice. Actual fireplace instructions must abide by specifications provided with each product



FLUE SYSTEM

7" Coaxial Direct Vent System

SPECIFICATIONS:

- 7" O.D.
- 4" I.D.

MINIMUM CLEARANCE TO COMBUSTIBLE MATERIAL

- a) Rear Wall Vent Applications 2" top, 1" Sides & Bottom
- b) Vertical Side Wall Applications 1" to All Sides
- c) Vertical thru the Roof Applications 1" to All Sides

MINIMUM COMBUSTIBLE WALL/FLOOR OPENINGS

- a) 9 3/8" x 10 3/8" H for Rear Wall Vent Applications
- b) 9 3/8" W x 9 3/8" H for Vertical Side Wall/Vertical Applications

MAXIMUM INSTALLATION LENGTHS

- a) Rear Wall Vent Applications
 - 20" (508mm) Vent Length
 - 20" (508mm) Vent Length with one 45 elbow to Corner Applications
- b) Vertical Side Wall Applications
 - 36" (914 mm) Horizontal Vent Length with 90 elbow installed directly on top of the unit
 - 20' (6 m) Horizontal Vent Length with 7.5' (2.29 m) vertical rise

*Refer to manual for alternative venting distance

VERTICAL THRU THE ROOF APPLICATIONS

- 8' (2.4 m) Minimum Vertical Rise
- 40' (12 m) Maximum Vertical Rise
- 2 sets of 45 Elbows can be used in Vertical rise with 8' maximum distance between elbows
- Two 90 elbows maximum for 10' (3 m)

Horizontal can be installed in Vertical Applications

*Maximum angular variation for Vertical Sidewall/Vertical Application in system is total of 270

*Refer to installation manual for all venting restrictions with elbow use

TERMINATION CLEARANCES MINIMUM

- a) Horizontal
 - 12" (305 mm) above Grade Level
 - 18" (458 mm) to Ventilated Soffit
 - 12" (305 mm) to Unventilated Soffit
 - 12" (305 mm) under veranda, porch, deck or balcony
- b) Vertical
 - 24" (610 mm) Above a Roof Surface and any other obstruction within a horizontal distance of 18" (458 mm)

*Refer to installation manual for more termination restrictions and clearance information

PRODUCT LISTING

ANSI Z21.88 - 2002/CSA 2.33-2002

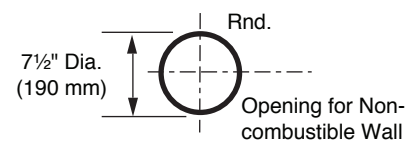
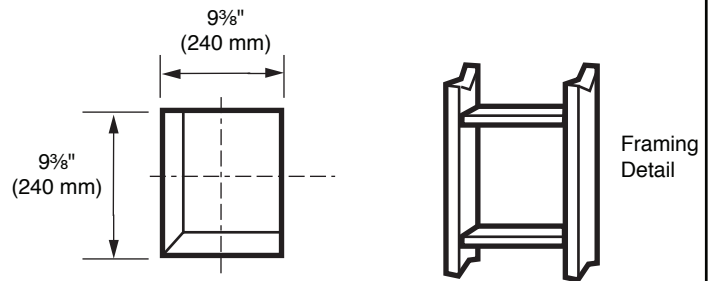
Vented Gas Fireplace Heaters

This gas appliance should be installed by qualified installers in accordance with local building codes and the current National Fuel Gas code ANSI Z223.1 or CSA B 149.1 Installation code for Gas Burning Appliance and Equipment.



WALL FRAMING DIMENSIONS

Vertical Side Wall Installations



VO584-100